



Model Number

NBB15-30GKK-WO

Features

- Basic series
- 15 mm flush

Technical Data

General specifications

Switching element function	AC	NC
Rated operating distance	s_n	15 mm
Installation		flush
Output polarity		AC
Assured operating distance	s_a	0 ... 12.15 mm
Reduction factor r_{Al}		0.33
Reduction factor r_{Cu}		0.28
Reduction factor r_{304}		0.82

Nominal ratings

Operating voltage	U_B	20 ... 250 V
Switching frequency	f	0 ... 20 Hz
Hysteresis	H	typ. 5 %
Short-circuit protection		no
Voltage drop	U_d	≤ 8 V
Momentary current (20 ms, 0.1 Hz)		0 ... 1600 mA
Operating current	I_L	1.5 ... 200 mA
No-load supply current	I_0	≤ 1.7 mA
Time delay before availability	t_v	≤ 20 ms

Ambient conditions

Ambient temperature	-25 ... 70 °C (-13 ... 158 °F)
---------------------	--------------------------------

Mechanical specifications

Connection type	terminal compartment
Core cross-section	up to 2.5 mm ²
Housing material	PBT
Sensing face	PBT
Degree of protection	IP67
Note	1) In the temperature range below 0 °C, permissible operating voltage U_b 80...253 V Safety fuse ≤ 0.3 A (quick-blow) according to IEC 60127-2 Sheet 1 Recommendation: after a short circuit, check that the device is functioning correctly.

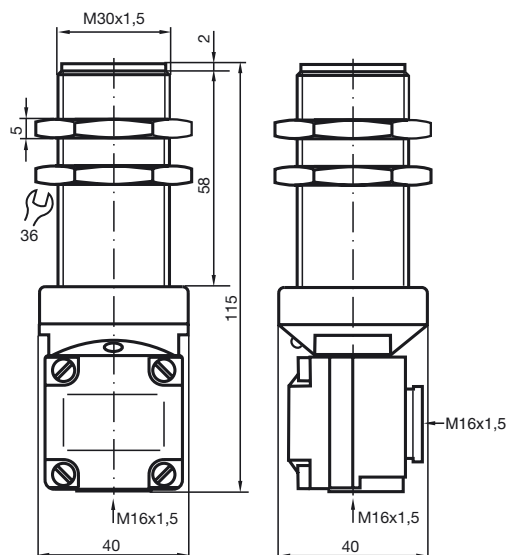
Compliance with standards and directives

Standard conformity	
Standards	EN 60947-5-2:2007 IEC 60947-5-2:2007

Approvals and certificates

UL approval	cULus Listed, General Purpose
CSA approval	cCSAus Listed, General Purpose
CCC approval	Certified by China Compulsory Certification (CCC)

Dimensions



Electrical Connection

