



### Model Number

**NBB10-30GM50-E2-T-V1**

### Features

- Extended temperature range
- 10 mm flush

### Accessories

#### BF 30

Mounting flange, 30 mm

#### EXG-30

Quick mounting bracket with dead stop

#### V1-W

Female connector, M12, 4-pin, field attachable

#### V1-G

Female connector, M12, 4-pin, field attachable

#### V1-G-2M-PUR

Female cordset, M12, 4-pin, PUR cable

#### V1-W-2M-PUR

Female cordset, M12, 4-pin, PUR cable

## Technical Data

### General specifications

Switching function	Normally open (NO)
Output type	PNP
Rated operating distance	$s_n$ 10 mm
Installation	flush
Output polarity	DC
Assured operating distance	$s_a$ 0 ... 8.1 mm
Actuating element	mild steel, e. g. 1.0037, SR235JR (formerly St37-2) 30 mm x 30 mm x 1 mm
Reduction factor $r_{Al}$	0.4
Reduction factor $r_{Cu}$	0.3
Reduction factor $r_{304}$	0.7
Reduction factor $r_{Brass}$	0.4

### Nominal ratings

Installation conditions	
B	25 mm
C	16 mm
F	37 mm
Operating voltage	$U_B$ 10 ... 65 V
Switching frequency	f 0 ... 300 Hz
Hysteresis	H 0.05 ... 2.2 mm
Reverse polarity protection	yes
Short-circuit protection	yes
Overload resistance	yes
Wire breakage protection	yes
Inductive overvoltage protection	yes
Surge suppression	yes
Ripple	10 %
Voltage drop	$U_d$ ≤ 2.5 V
Repeat accuracy	R 0.3 mm
Operating current	$I_L$ 0 ... 300 mA
Off-state current	$I_r$ ≤ 0.01 mA
No-load supply current	$I_0$ ≤ 10 mA
Time delay before availability	$t_v$ ≤ 40 ms
Switching state indicator	Multihole-LED, yellow

### Functional safety related parameters

Mission Time ( $T_M$ )	20 a
Diagnostic Coverage (DC)	0 %

### Ambient conditions

Ambient temperature	-25 ... 100 °C (-13 ... 212 °F)
Storage temperature	-40 ... 100 °C (-40 ... 212 °F)

### Mechanical specifications

Connection type	Connector M12 x 1, 3-pin
Housing material	brass, nickel-plated
Sensing face	PBT
Degree of protection	IP67
Mass	115 g

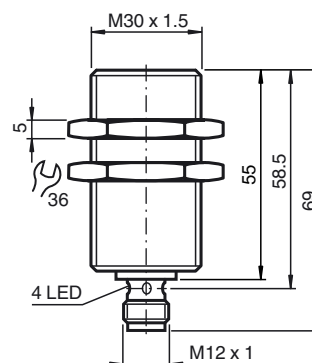
### Compliance with standards and directives

Standard conformity	
Standards	EN 60947-5-2:2007 IEC 60947-5-2:2007

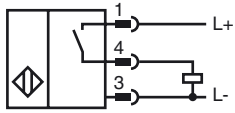
### Approvals and certificates

EAC conformity	TR CU 020/2011
----------------	----------------

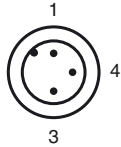
## Dimensions



**Electrical Connection**



**Pinout**



Wire colors in accordance with EN 60947-5-2

1		BN	(brown)
3		BU	(blue)
4		BK	(black)