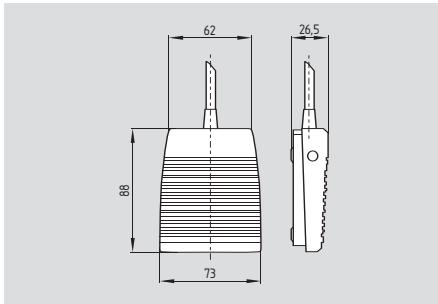
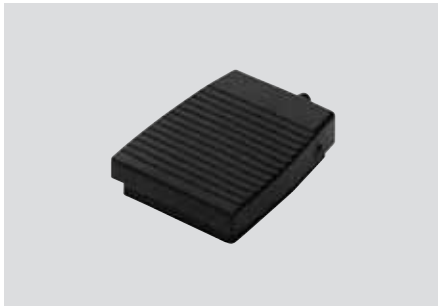


# Foot switch

## LKF



- Thermoplastic enclosure
- Small flat design
- Micro-break switches for switching currents up to 5 A
- 1 or 2 pole change-over contact
- With or without pre-wired cable available
- Pre-wired cable available, cable length 2 m

## Technical data

Standards: IEC/EN 60947-5-1  
VDE 0113 part 1

Enclosure: shockproof thermoplastic

Pedal: shockproof thermoplastic

Termination: Customer-specific wiring with appropriate cable (with 1 PW: dmax. = 6.5 mm, with 2 PW: dmax. = 8.5 mm)

Ordering suffix -2m: permanent die-cast wiring cable, 3 x 0.5 mm<sup>2</sup> or 6 x 0.5 mm<sup>2</sup>, 2 m long

Protection class: IP 65 with cable, IP 43 without cable to EN 60529

Switching system: snap action

Max. fuse rating: 5 A (slow blow)

Switching voltage: 250 VAC/DC

Max. making current: micro-break switches: 5 A

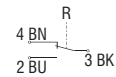
Max. switching capacity: micro-break switches: 1250 VA

Ambient temperature: - 10 °C ... + 70 °C

Mechanical life: > 1 million operations

## Contact variants

### 1-pole change-over contact



### 2-pole change-over contact



## Approvals



## Ordering details

### LKF ①-②

No.	Replace	Description
①	1PW	1-pole change-over contact
	2PW	2-pole change-over contact
②	2m	Without cable Cable length 2m