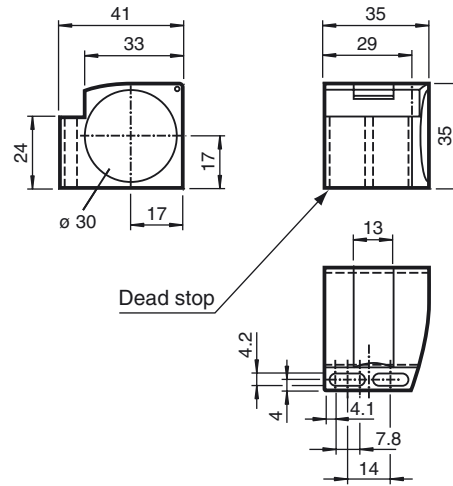




Dimensions



Model Number

BF 30-F

Plastic mounting adapter, 30 mm

Features

- For mounting cylindrical sensors with metal thread
- Secure mounting of the sensor via a snap lock
- Installation position defined by fixed stop
- Adjustable via slot mounting

Technical data

General specifications

Inside diameter 30 mm

Ambient conditions

Ambient temperature -25 ... 85 °C (-13 ... 185 °F)

Mechanical specifications

Material black polycarbonate (PC)

Construction type For sensors with 45° chamfer

Note

Installation

- Position the mounting bracket on the desired place
- Mark the position of drilling holes in the mid section of the oblong holes
- Drill the mounting holes through the surface
- Screw on the mounting bracket slightly via the lateral oblong holes by using suitable M4 screws
- Stick the sensor through the mounting bracket and fix the sensor by the lid on the upper part of the bracket
- Adjust the bracket and make the final positioning
- Fix the mounting bracket finally with the screws

Release date: 2018-03-22 11:55 Date of issue: 2018-04-03 107461_eng.xml