



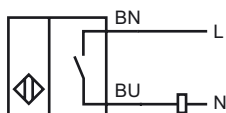
Model Number

40FY38-50

Features

- Hall Effect Sensor
- Magnet Actuator Required
- Door Interrupt Sensor

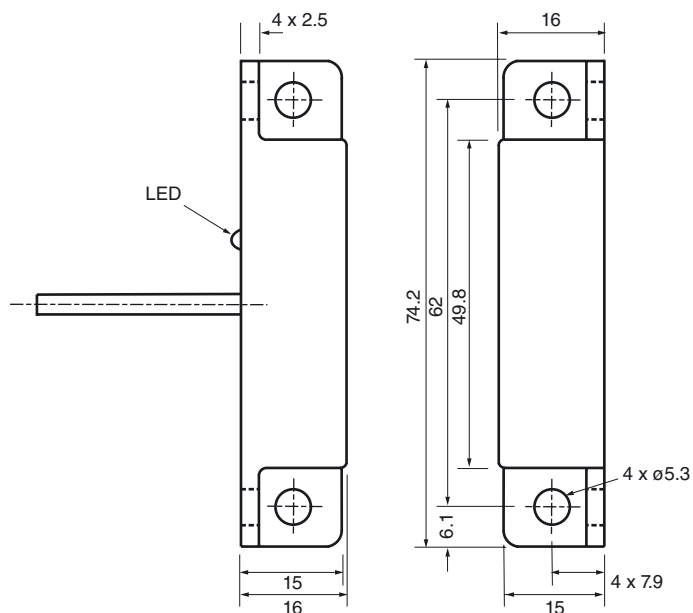
Connection



Accessories

- 41FY1**
Magnetic Actuation
- 41FY2**
Magnetic Actuation

Dimensions



Technical Data

General specifications

Switching element function	AC	NO
Rated operating distance	s_n	Use either 41FY1 - 6.4 - 15.2 mm or 41FY2 - 7.6 - 19 mm
Installation	not embeddable	
Output polarity	AC	

Nominal ratings

Operating voltage	U_B	24 V AC
Voltage drop	U_d	8 V at 500 mA
Operating current	I_L	≤ 500 mA
Off-state current	I_r	1.5 mA

Indicators/operating means

LED indicator	switching state
---------------	-----------------

Electrical specifications

Electrical rating	24 V AC
-------------------	---------

Ambient conditions

Ambient temperature	-25 ... 70 °C (-13 ... 158 °F)
---------------------	--------------------------------

Mechanical specifications

Connection type	cable PVC , 5 m
Core cross-section	0.34 mm ²
Housing material	Polycarbonate
Sensing face	Polycarbonate
Protection degree	IP67