



### Model Number

40FY26-020

### Features

- Hall Effect Sensor
- Door Interrupt Sensor
- Tamper resistant magnetic actuator

### Accessories

41FY1

41FY2

## Technical Data

### General specifications

Switching element function		PNP NO contact
Rated operating distance	$s_n$	Use either 41FY1 - 6.4 - 15.2 mm or 41FY2 - 7.6 - 19 mm
Installation		non-flush
Output polarity		DC

### Nominal ratings

Operating voltage	$U_B$	10 ... 30 V DC
Hysteresis	H	5 ... 25 %
Short-circuit protection		yes
Voltage drop	$U_d$	$\leq 2.5$ V DC
Repeat accuracy		+/- 3 %
Operating current	$I_L$	$\leq 200$ mA
Off-state current	$I_r$	$\leq 30$ mA
No-load supply current	$I_0$	$\leq 40$ mA

### Indicators/operating means

LED indicator	switching state
---------------	-----------------

### Electrical specifications

Electrical rating	10 - 30 V DC
-------------------	--------------

### Ambient conditions

Ambient temperature	-30 ... 85 °C (-22 ... 185 °F)
---------------------	--------------------------------

### Mechanical specifications

Connection type	cable PVC , 2 m
Core cross-section	0.34 mm <sup>2</sup>
Housing material	Polycarbonate
Sensing face	Polycarbonate
Degree of protection	IP67

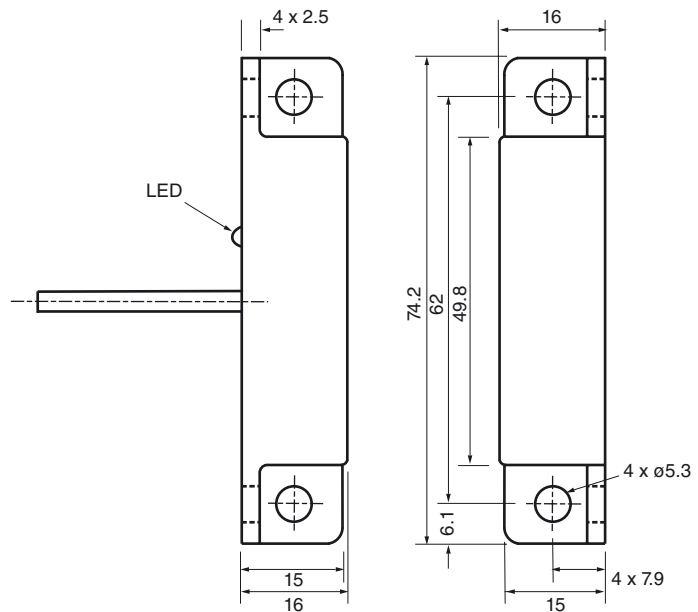
### Compliance with standards and directives

Standard conformity	
Standards	EN 60947-5-2:2007 IEC 60947-5-2:2007

### Approvals and certificates

UL approval	cULus Listed, General Purpose
CSA approval	cCSAus Listed, General Purpose

## Dimensions



## Electrical Connection

