



### Model Number

CJ40-FP-A0-P1

### Features

- 40 mm non-flush
- 4-wire DC
- The switching distance can be set over a wide range with the potentiometer

## Technical Data

### General specifications

Switching function		complementary
Output type		NPN
Rated operating distance	$s_n$	40 mm
Installation		non-flush
Output polarity		DC
Assured operating distance	$s_a$	0 ... 32.4 mm
Output type		4-wire

### Nominal ratings

Installation conditions		
B		40 mm
C		80 mm
F		120 mm
Operating voltage	$U_B$	10 ... 60 V DC
Switching frequency	$f$	0 ... 10 Hz
Reverse polarity protection		reverse polarity protected
Short-circuit protection		pulsing
Voltage drop	$U_d$	$\leq 2.8$ V
Operating current	$I_L$	0 ... 200 mA
No-load supply current	$I_0$	$\leq 20$ mA
Switching state indicator		LED, yellow

### Functional safety related parameters

MTTF <sub>d</sub>		480 a
Mission Time ( $T_M$ )		20 a
Diagnostic Coverage (DC)		0 %

### Indicators/operating means

Potentiometer		sensitivity adjustment
---------------	--	------------------------

### Ambient conditions

Ambient temperature		-25 ... 70 °C (-13 ... 158 °F)
---------------------	--	--------------------------------

### Mechanical specifications

Connection type		screw terminals
Information for connection		A maximum of two conductors with the same core cross section may be mounted on one terminal connection! tightening torque 1.2 Nm + 10 % up to 2.5 mm <sup>2</sup>
Core cross-section		up to 2.5 mm <sup>2</sup>
Minimum core cross-section		without wire end ferrule 0.5 mm <sup>2</sup> , with connector sleeves 0.34 mm <sup>2</sup>
Maximum core cross-section		without wire end ferrule 2.5 mm <sup>2</sup> , with connector sleeves 1.5 mm <sup>2</sup>
Housing material		PBT/POM
Sensing face		POM
Housing base		PBT
Degree of protection		IP65

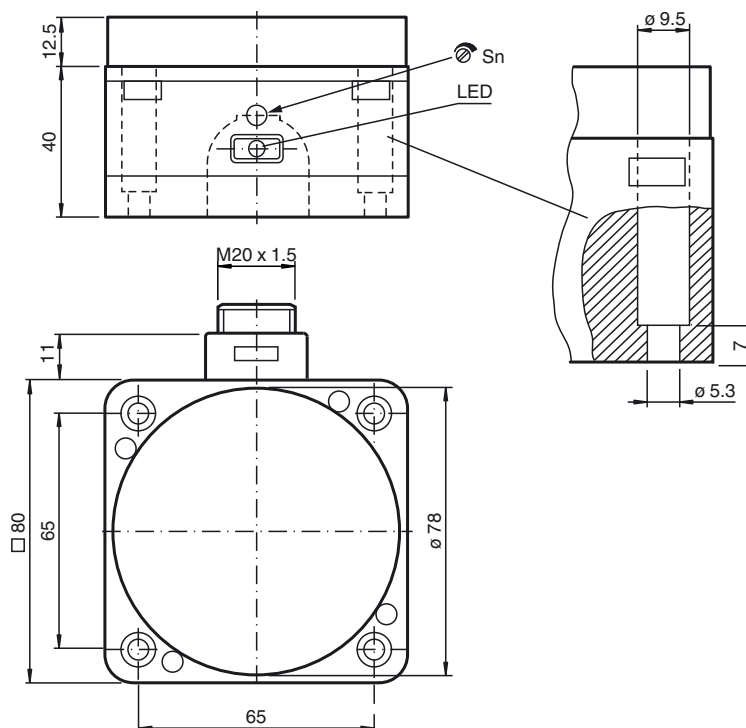
### Compliance with standards and directives

Standard conformity	
Standards	EN 60947-5-2:2007 EN 60947-5-2/A1:2012 IEC 60947-5-2:2007 IEC 60947-5-2 AMD 1:2012

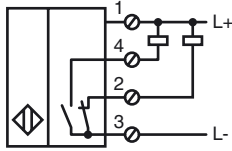
### Approvals and certificates

UL approval	cULus Listed, General Purpose
-------------	-------------------------------

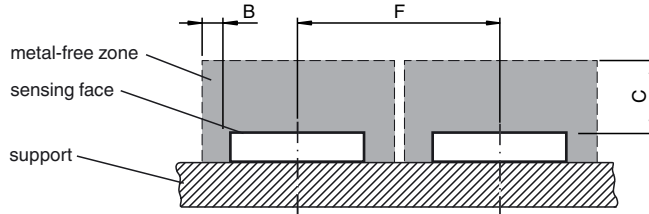
## Dimensions



Electrical Connection



Installation Conditions



Release date: 2018-10-18 15:46 Date of issue: 2018-10-18 048996\_eng.xml